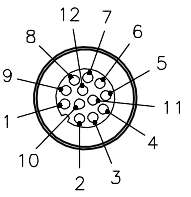
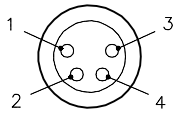
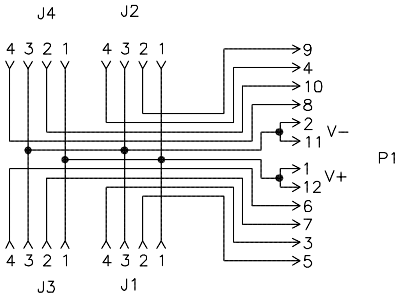
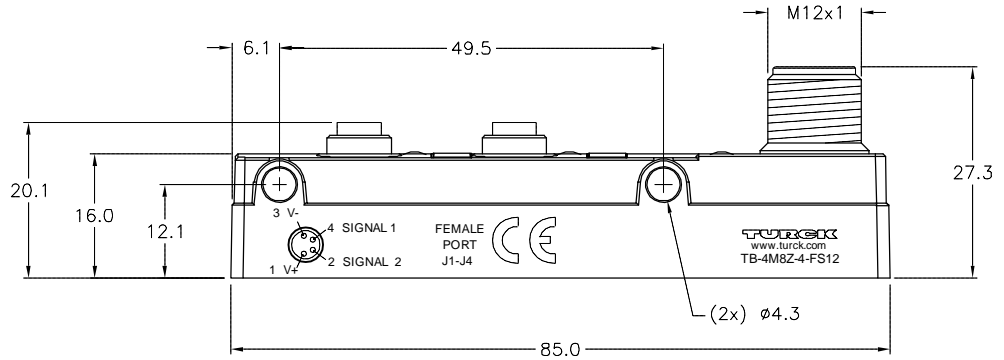
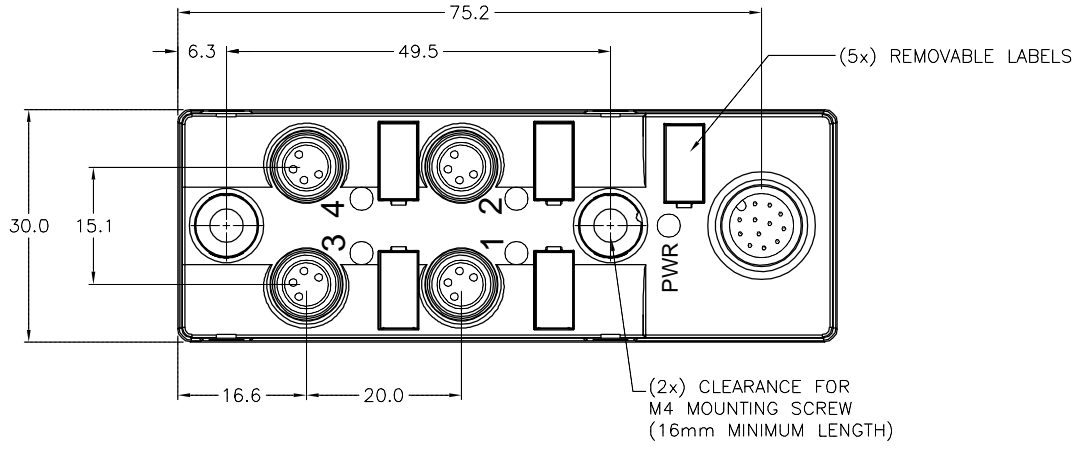
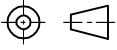



MALE END VIEW	FEMALE END VIEW	WIRING DIAGRAM	SPECIFICATIONS																			
 <p>auto fast. (P1)</p>	 <p>pico fast. (J1-J4)</p>		<table border="1"> <tr><td>HOUSING MATERIAL/COLOR</td><td>NYLON/BLACK</td></tr> <tr><td>RECEPTACLE MATERIAL/PLATING</td><td>BRASS/NICKEL (P1)</td></tr> <tr><td>CONTACT CARRIER MATERIAL</td><td>NYLON</td></tr> <tr><td>CONTACT MATERIAL/PLATING</td><td>BRASS/GOLD</td></tr> <tr><td>OPERATING VOLTAGE</td><td>30 VDC</td></tr> <tr><td>OPERATING CURRENT</td><td>2.0A PER SIGNAL 2.0A TOTAL WHEN USING ONE POWER PAIR 4.0A TOTAL WHEN USING BOTH POWER PAIRS</td></tr> <tr><td>PROTECTION CLASS to DIN 40050</td><td>IEC IP67: ONLY WHEN ALL RECEPT. ARE COVERED WITH PLUGS OR CONNECTED</td></tr> <tr><td>OPERATING TEMPERATURE</td><td>-40°C to +85°C (-40°F to +185°F)</td></tr> <tr><td>MATING CORDSET</td><td>RKC 12T-*/S3476 FOR DUAL POWER PAIRS RKC 10T-*/S3476 FOR SINGLE POWER PAIR</td></tr> </table>	HOUSING MATERIAL/COLOR	NYLON/BLACK	RECEPTACLE MATERIAL/PLATING	BRASS/NICKEL (P1)	CONTACT CARRIER MATERIAL	NYLON	CONTACT MATERIAL/PLATING	BRASS/GOLD	OPERATING VOLTAGE	30 VDC	OPERATING CURRENT	2.0A PER SIGNAL 2.0A TOTAL WHEN USING ONE POWER PAIR 4.0A TOTAL WHEN USING BOTH POWER PAIRS	PROTECTION CLASS to DIN 40050	IEC IP67: ONLY WHEN ALL RECEPT. ARE COVERED WITH PLUGS OR CONNECTED	OPERATING TEMPERATURE	-40°C to +85°C (-40°F to +185°F)	MATING CORDSET	RKC 12T-*/S3476 FOR DUAL POWER PAIRS RKC 10T-*/S3476 FOR SINGLE POWER PAIR	
HOUSING MATERIAL/COLOR	NYLON/BLACK																					
RECEPTACLE MATERIAL/PLATING	BRASS/NICKEL (P1)																					
CONTACT CARRIER MATERIAL	NYLON																					
CONTACT MATERIAL/PLATING	BRASS/GOLD																					
OPERATING VOLTAGE	30 VDC																					
OPERATING CURRENT	2.0A PER SIGNAL 2.0A TOTAL WHEN USING ONE POWER PAIR 4.0A TOTAL WHEN USING BOTH POWER PAIRS																					
PROTECTION CLASS to DIN 40050	IEC IP67: ONLY WHEN ALL RECEPT. ARE COVERED WITH PLUGS OR CONNECTED																					
OPERATING TEMPERATURE	-40°C to +85°C (-40°F to +185°F)																					
MATING CORDSET	RKC 12T-*/S3476 FOR DUAL POWER PAIRS RKC 10T-*/S3476 FOR SINGLE POWER PAIR																					



SOURCE DRAWING - FOR REFERENCE ONLY

RELATED DOCUMENTS 1. 2. 3. 4.	3RD ANGLE PROJECTION 	THIS DRAWING IS CONFIDENTIAL AND THE PROPERTY OF TURCK INC. USE OF THIS DOCUMENT WITHOUT WRITTEN PERMISSION IS PROHIBITED.	<div style="text-align: right;"> <p>3000 CAMPUS DRIVE MINNEAPOLIS, MN 55441 1-800-544-7769 (763) 553-7300 (763) 553-0708 fax www.turck.us</p> </div> <div style="text-align: center;">  </div>																								
MATERIAL SEE SPECIFICATIONS	ALL DIMENSIONS DISPLAYED ON THIS DRAWING ARE FOR REFERENCE ONLY	<table border="1"> <tr><td>DRFT</td><td>RDS</td><td>DATE</td><td>12/21/17</td></tr> <tr><td>APVD</td><td>L.F.</td><td>SCALE</td><td>1=1.0</td></tr> <tr><td colspan="4" style="text-align: center;">UNIT OF MEASUREMENT</td></tr> <tr><td colspan="4" style="text-align: center;">MILLIMETERS</td></tr> </table>	DRFT	RDS	DATE	12/21/17	APVD	L.F.	SCALE	1=1.0	UNIT OF MEASUREMENT				MILLIMETERS				<table border="1"> <tr><td colspan="2" style="text-align: center;">DESCRIPTION</td></tr> <tr><td colspan="2" style="text-align: center;">TB-4M8Z-4-FS12</td></tr> <tr><td>IDENTIFICATION NO.</td><td>REV</td></tr> <tr><td style="text-align: center;">U2-28311</td><td style="text-align: center;">C</td></tr> </table>	DESCRIPTION		TB-4M8Z-4-FS12		IDENTIFICATION NO.	REV	U2-28311	C
DRFT	RDS	DATE	12/21/17																								
APVD	L.F.	SCALE	1=1.0																								
UNIT OF MEASUREMENT																											
MILLIMETERS																											
DESCRIPTION																											
TB-4M8Z-4-FS12																											
IDENTIFICATION NO.	REV																										
U2-28311	C																										
FINISH SEE SPECIFICATIONS	CONTACT TURCK FOR MORE INFORMATION	DO NOT SCALE THIS DRAWING	<table border="1"> <tr><td>FILE: U2-28311</td><td>SHEET 1 OF 1</td></tr> </table>	FILE: U2-28311	SHEET 1 OF 1																						
FILE: U2-28311	SHEET 1 OF 1																										

C	ADD CE	NF	01/14/19	68151
REV	DESCRIPTION	BY	DATE	ECO NO.